

## Relays

# SPNO, SPDT, DPNO, & DPDT General Purpose Switching Relay MKR-2 Series

## Specifications

### Contact Configuration

SPST-NO, SPST-NC, SPDT, DPST-NO,  
DPST-NC, DPDT

### Contact Material

Silver Cadmium Oxide Alloy

### Power Rating

3/4 HP 125/250 VAC  
12 FLA 60 LRA 15 A Res. @ 125 VAC  
6 FLA 35 LRA 15A Res. @ 250/277 VAC

### VAC

3 FLA 18 LRA 12.5A Res. @ 480 VAC  
3 FLA 14 LRA 600 VAC

### Pilot Duty Rating

1/10 HP 125/250 VAC  
125 VA @ 125/250/480 VAC  
3 Amp 277 VAC

### Temperature Range

-40°C to +65°C

### Unit Weight

6 oz

### Power Pole Terminations

.250" QC

### Coil Termination

.250" QC

### Mechanical Life Expectancy

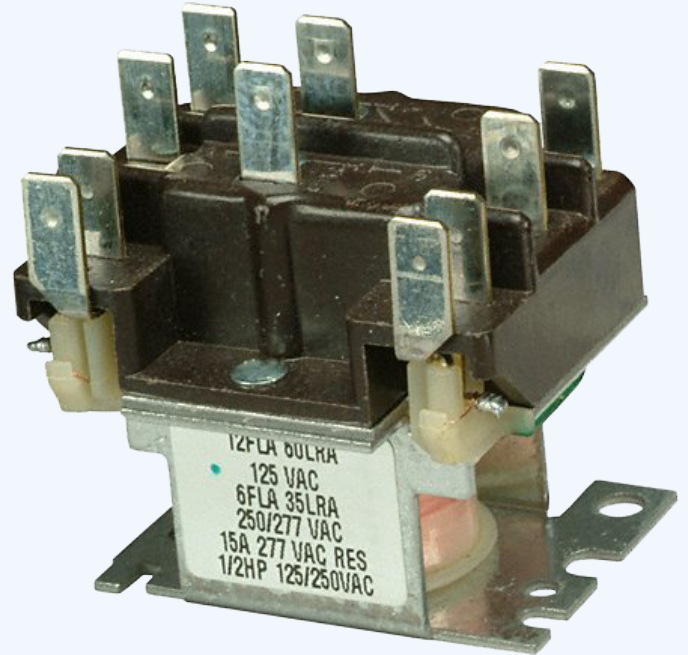
1 million operations

### Electrical Life Expectancy

250,000 operations—resistive  
100,000 operations—inductive

### Nominal Coil Power

AC 9.0 VA

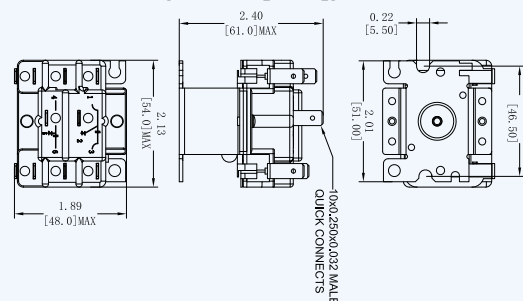


General purpose relays are used in applications including HVAC systems and standby power supplies also used for switching single or two speed motors, solenoids and resistive loads.

## Features

- SPNO, SPDT, DPNO & DPDT switching options
- Class B insulation system
- .250" QC terminals
- Can be mounted in different positions
- UL 508 compliant

### Dimensions (inches [mm])





## Relays

# SPNO, SPDT, DPNO, & DPDT General Purpose Switching Relay

## MKR-2 Series

### Nomenclature

MKR	-	2	1X	Q	0	M	000
<u>Series</u>	<u>Packaging</u>	<u>Relay Type</u>	<u>Pole Form</u>	<u>Coil Voltage</u>	<u>Contact Rating</u>	<u>Mounting</u>	<u>Customer Identification</u>
MeK-Tronics Relay	(-) Factory Bulk Box (Y) Individual Pack Box	2	2A DPNO 2C DPDT 1C SPDT 1A SPNO	Q 24 VAC T 120 VAC U 208/240 VAC	0 Power Duty Rating 1 Pilot Duty	M - Bracket mount	000-900 Optional Customer Number assigned by MeK-Tronics

### Coil Voltage Characteristics

Coil Letter	Nominal Coil Voltage VAC	Pick Up Voltage VAC	Drop Out Voltage VAC	Maximum Coil Voltage VAC	Nominal Coil Resistance Ohms	Sealed VA (maximum)	Inrush VA
Q	24	20.4	4.8	26.4	15	9.5	21.5
T	120	102	24	132	400	9.5	21.5
U	208/240	176	48	1,600	1,600	9.5	21.5