



MeK-Tronics

Pull-out Disconnect 60 AMP

MKD Series

Specifications

Ratings

240 VAC
60 AMP

Terminations

Box Lugs or Quick-Connect available
on Load side
Box Lugs standard on Line side

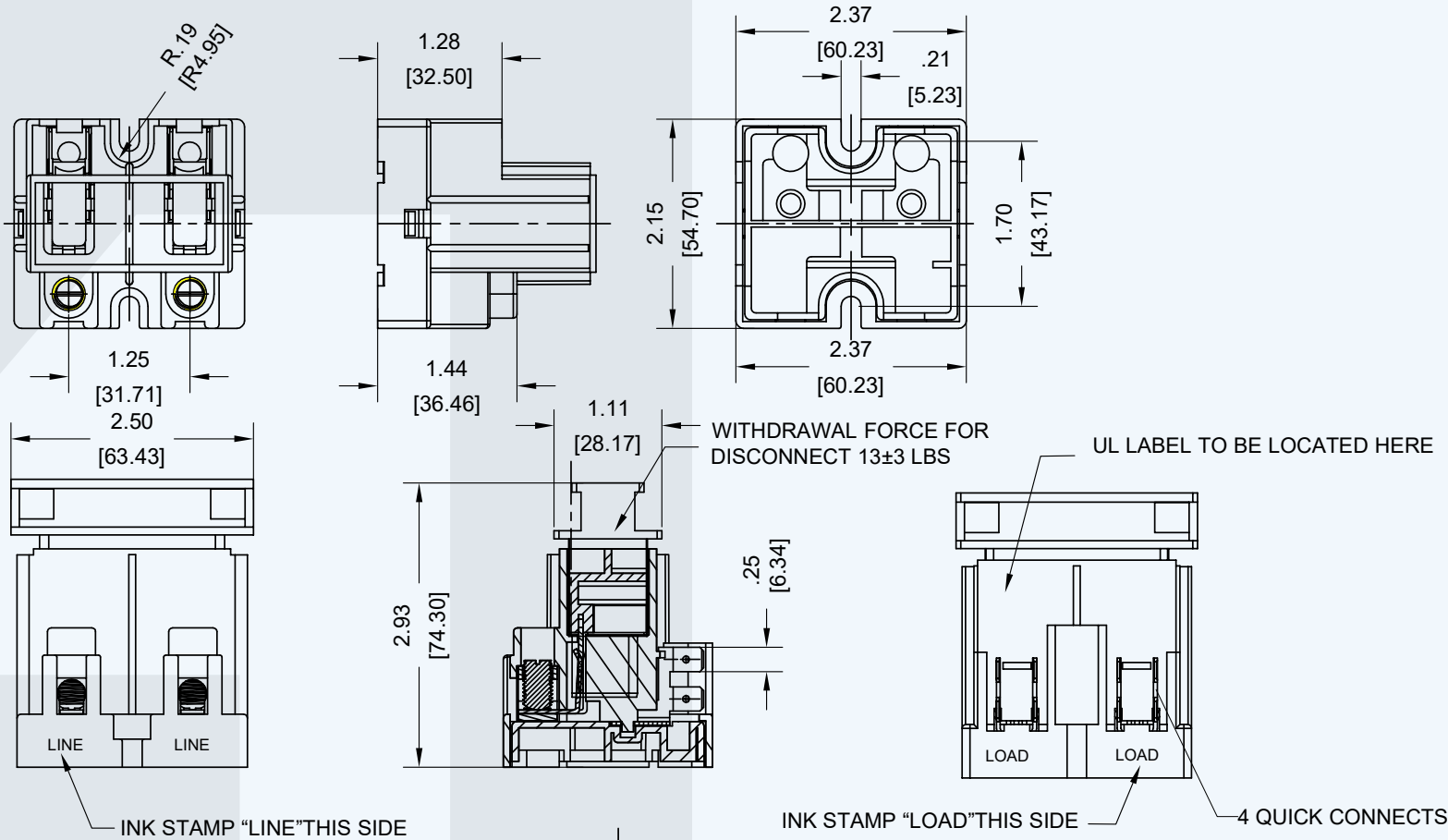
Available with or without gasket





Pull-out Disconnect 60 AMP

MKD Series



NOTES:

1. RATINGS: 60 AMP. 10 HP MAX. 180LRA. 240 VOLTS. 60 HERTZ SINGLE PHASE

0.250 MIN. LUBRICANT INYOGEL 759PI APPLIED ON CONTACT IN THIS AREA