

TRANSFORMERS

100 VA Transformer MKT Series

Specifications

Wire Size

All leads are 18 AWG stranded
2/64" insulation thickness

Quick Connect Size

Standard male quick connect terminals
are .250" x .032"

Frequency

50/60 Hz

Insulation System

130°C Class B

Unit Weight

100 VA 44 oz



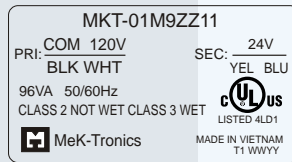
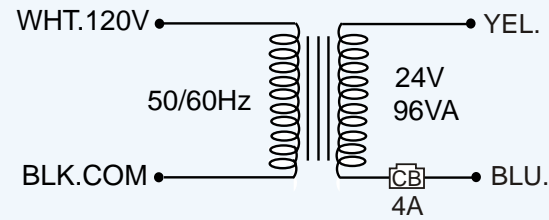
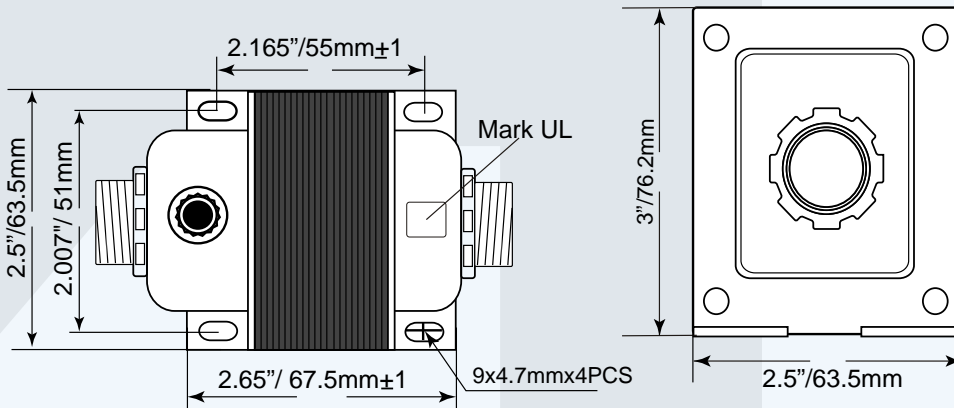
Mek-Tronics Class II transformers supply secondary voltages that are commonly utilized in various electronic, electro-magnetic and electrical control conditions. These include applications used with relays, solenoids, small motors, speed changers, pumps, heating elements, fans and blowers, electronic tubes, elevators, door openers and Thermostat control.

Features

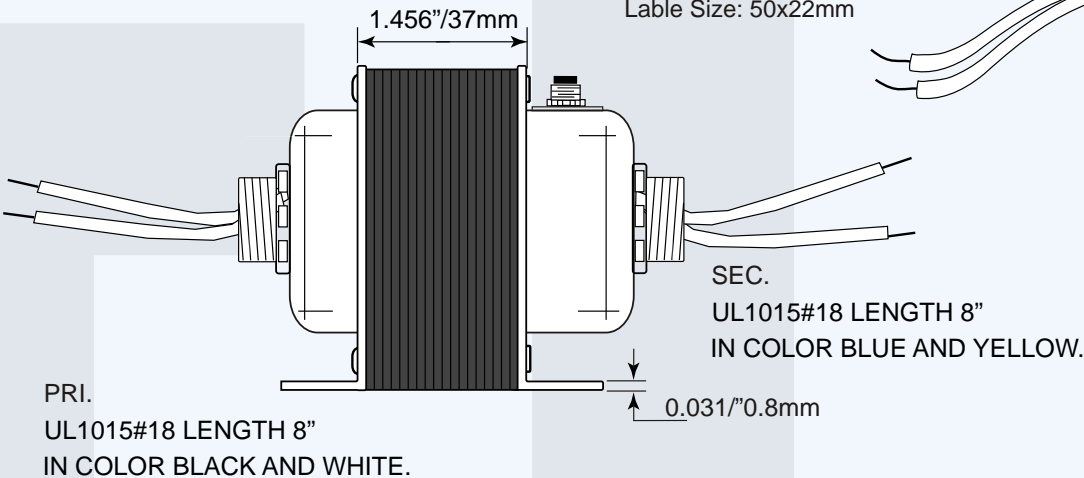
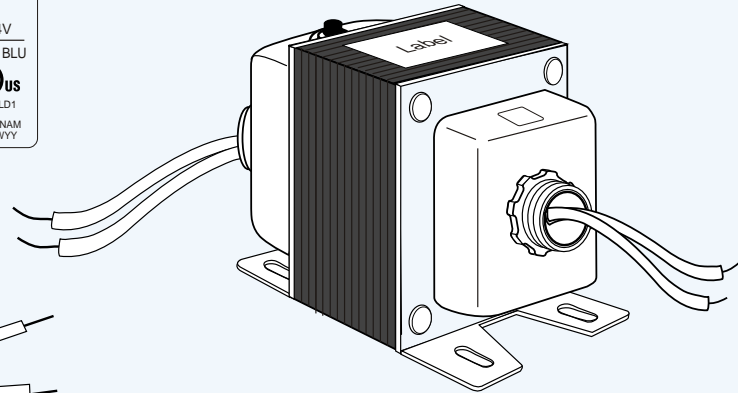
- UL/CUL recognized 5085—File No. E528105
- Non-inherently limited
- Secondary fusing required
- Multiple mounting and termination options available, contact us for more information.

TRANSFORMERS

100 VA Transformer MKT Series



Lable Size: 50x22mm



MeK-Tronics can design different types of transformers not listed in the above sheet. 847.598.3550 | www.mek-tronics.com